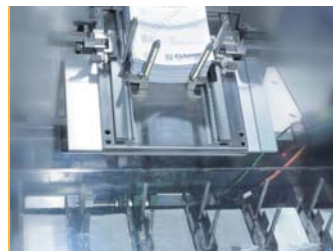
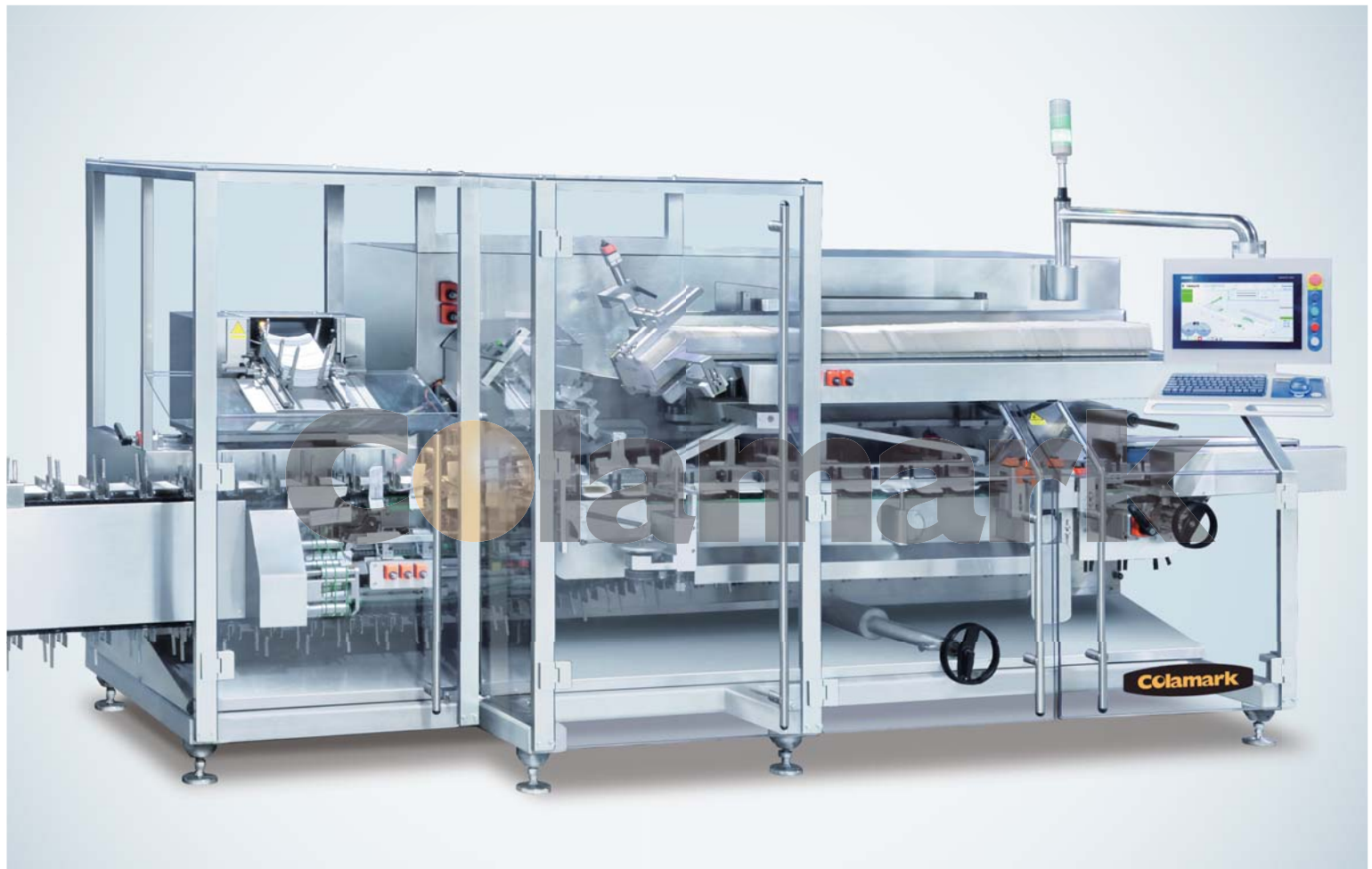


Colamark



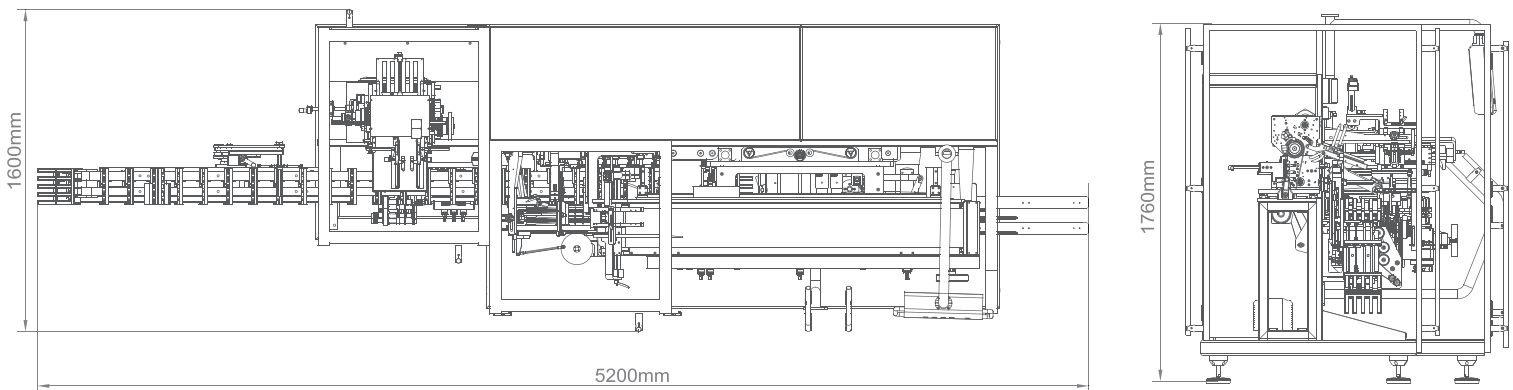
Colamark Bravo Cartoning Machine

Bravo is the best value continuous cartoners in the market.

Bravo is a balcony design continuous cartoning machine focusing on cartoning speed of 80 to 260 cartons per minute. It equips upto nine servo drives to handle programmable functions, so that it reduces change over time and effort.

Features

- Conforms to GMP design, which can meet the pharmaceutical production requirements.
- Unique carton supply conveyor and carton unfold mechanism improved the operation effectiveness.
- Servo controlled carton opening device can open carton at high speed.
- The Servo main drive and timing belt construction reduce operating vibration and noise.
- All drives come with torque control.
- Toolless change over can completed in 30 minutes.
- Multi-level password control facilitate requirements of maintenance and troubleshooting.



Machine Model	Bravo 260
Capacity	80~260ppm
Suitable for	Bottle, Aluminum blister, vial and ampoule in tray
Carton size	(L)70~200 mm × (W)25~100 mm × (H)15~80 mm
Leaflet size	(L)73~216 mm × (W)85~320 mm
Pneumatic	0.4~0.6MPa
Machine Dimensions	(L)5200mm × (W)1600mm × (H)1760 mm
Power Consumption	380VAC±5% 50Hz 3kW

(Custom engineered solutions are available to cater for customer's special needs.)

For continuous improvement on design and product innovations, all specification data are subject to change without prior notice

Colamark (Guangzhou) Labeling Equipment Limited

19 Jin Xiu Road, Economics Trade Development District, Guangzhou, China 510730

Tel: +86 20 8221 6718 Fax: +86 20 8221 5799

Colamark Asia Ltd 820 Topsail Plaza, 11 On Sum Street, Shatin, Hong Kong

Tel: +852 2634 8011 Fax: +852 8161 3311 info@colamark.com www.colamark.com

|HongKong | Guangzhou | Kunming Chengdu | Wuhan | Chongqing | Xian | Shanghai | Qingdao | Beijing | Shenyang | Harbin |